



OVERVIEW

The **C-BOX** unit is a conditioning module designed to convert the signal of a load cell in a 4..20 mA signal. The load cell gain can be selected among the following values: 1 mV/V, 2 mV/V or 4 mV/V. The 5Vdc internal power supply for the load cell is capable of delivering a current of 50 mA and this allows to connect up to 3 cells (with a resistance of about 350 ohms) in parallel. The unit is enclosed and resin-encapsulated in a small stainless steel rugged box, which can be mounted in any environmental condition; the electrical connections to external signals are made via Amp / Tyco connectors by the Ampseal family.

OUTPUTS

- 5Vdc / 50mA regulated output for load cell power supply
- 4..20mA output proportional to the measured weight
- 10 mA high-side output that will be activated in case of load cell fault

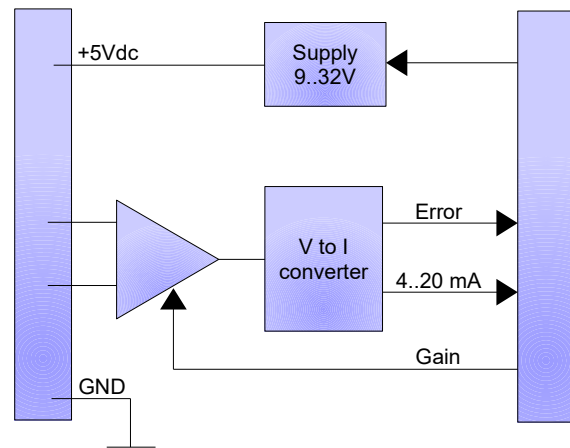
INPUTS

- 1 differential input for load cell
- 2 digital inputs for the selection of the load cell gain

OPERATING CONDITIONS

- Supply voltage: 9 .. 32Vdc
- Operating temperature range: -40 .. +85 °C
- Storage temperature range : -40 .. +85 °C
- Max. humidity level: 95%
- Protection grade: IP68 (with connector plugged)
- Weight: 360 g

BLOCK DIAGRAM



MECHANICAL DRAWING

