



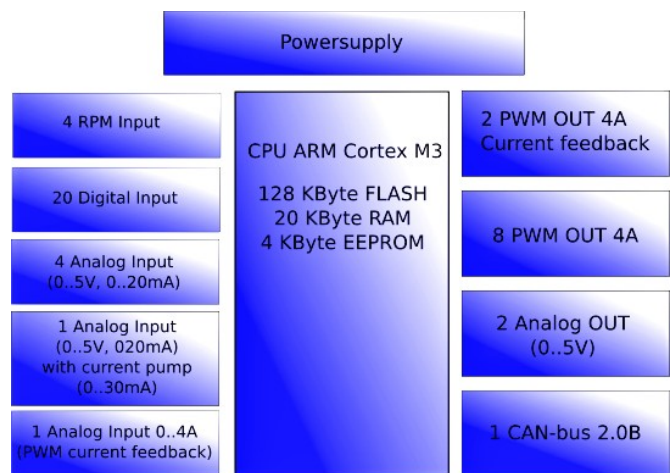
OPERATING CONDITIONS

- Supply voltage: 10 .. 32 Vdc
- Operating temperature range: -40 .. +70 °C
- Storage temperature range: -40 .. +85 °C
- Max. humidity level: 95%
- Protection grade: IP68 (with connector plugged)
- Weight: 720 g

CERTIFICATIONS

- UNECE 10/05 : E3 10R-05 1278
- IP6K8 according to ISO26653:2013

BLOCK DIAGRAM



OVERVIEW

The DCU-S V.2 unit is a programmable controller designed to be used on industrial vehicles and suitable to operate in harsh conditions (wide temperature range, water, dust, vibrations, etc.).

The unit is able to read a wide range of analog and digital sensors and can drive the actuators directly.

The hardware cost extremely low in relation to the performance, but especially the high reliability and ease of use, make this device a unique product in its price range.

The DCU-S is equipped with an appropriate standard software slave for the control by CAN-bus through the CANOpen protocol.

SPECIFICATIONS

- CPU: ARM Cortex M3 (LPC1518)
- Internal memory: 20 kByte RAM, 128 kByte Flash, 4 kByte EEPROM
- CAN Bus: full CAN 2.0B (11 bit o 29 bit identifiers), with programmable baud-rate from 125 kbit/s to 1 Mbit/s, CANOpen protocol (optional: J1939, ISOBUS)
- Functions: Watch Dog, Brown Out, Undervoltage

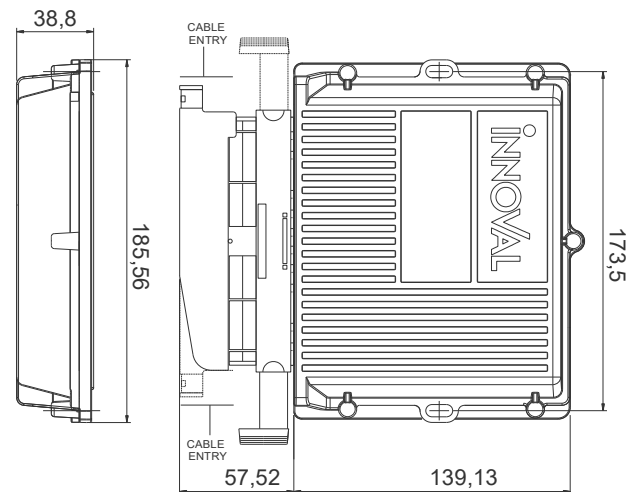
OUTPUTS

- 2 high-side PWM outputs (600 Hz, 4A max.) with self diagnosis and short circuit protection
- 8 high-side PWM digital outputs (4A max.) with self diagnosis and short circuit protection
- 2 analog outputs 12 bit 0..5V (minimum load 5 kOhm)
- 1 output 5Vdc/100mA for sensor supply

INPUTS

- 4 analog inputs, 12 bit resolution, programmable range (0..20mA, 0..5V)
- 1 analog input, 12 bit resolution with integrated current source (0.3mA..30mA) and programmable range (0..20mA, 0..5V)
- 1 analog input 12 bit resolution 0..4A (can be used to measure the current delivered by the 8 PWM outputs without integrated current feedback)
- 4 RPM inputs for direct reading of signals with frequency up to 5kHz, also used as digital inputs or to manage up to 2 incremental encoders
- 20 digital inputs inputs configurable for high-side or low-side operation by the software, two of which used of the attribution of the Node-ID CANOpen

MECHANICAL DRAWING



Remark: cable exit is possible on both sides.