



### GENERAL DESCRIPTION

The C-BOX is a conditioning unit designed to convert a load cell signal into a 4..20 mA signal.

It is possible to set the load cell gain (1 mV/V, 2 mV/V or 4 mV/V).

The internal 5 Vdc power supply for the load cell is capable of delivering a current of 50 mA and this allows up to 3 cells (with a resistance of approx. 350 ohms) to be connected in parallel.

The unit consists of a robust stainless steel box of reduced dimensions, embedded in resin, which can be mounted in any environmental condition; the electrical connection with external signals is made via Amp/Tyco connectors of the Ampseal family.

### OUTPUTS

- 1 x 5 V/50 mA output for load cell power supply
- 1 4..20 mA output proportional to the measured weight
- 1 high-side 10 mA output which is activated in the event of a converter fault

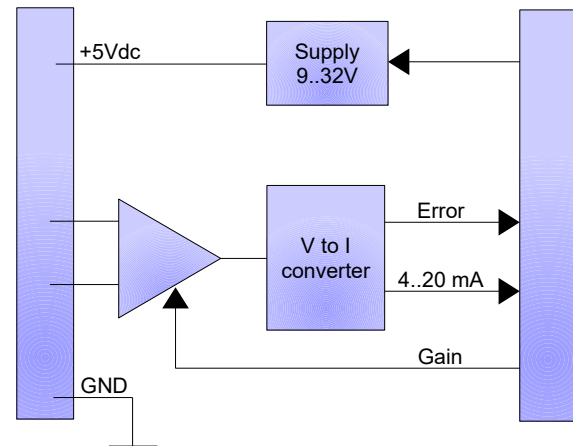
### INPUTS

- 1 differential input for load cell
- 2 digital inputs for load cell gain selection

### USAGE SPECIFICATIONS

- Supply voltage: 9 . 32 VDC
- Operating temperature: -40 ... +85 °C
- Storage temperature: -40 ... +85 °C
- Maximum humidity level: 95%.
- Protection level: IP68 (with connector plugged in)
- Weight: approx. 360 g

### BLOCK DIAGRAM



### MECHANICAL DRAWING

